

FINISHES / NOTES

VARIOUS FINISHES AVAILABLE
 ALL SUPPORT BRACKETS PROJECT DEPENDANT
 AUSTENITIC STAINLESS STEEL OR G275S POST
 GALVANISED STEEL

DOW CORNING 756 FOR POROUS
 SUBSTRATES OR SIMILAR

- KEY COMPONENT LEGEND**
- (A) NORSKREEN® M4 PANEL
 - (B) ALUMINIUM SUPPORT ANGLE
 - (C) STAINLESS STEEL SUPPORT BRACKET
 - (D) HORIZONTAL JOINT BRACKET
- (BO) INDICATIVE FINISHES NOT BY TELLING Eg :
- JOINT SEALANTS/ BACKING ROD
 - COMPRIBAND JOINT BACKING
 - SOLID PACKERS / ISOLATION PADS
 - SUBSTRATE FIXINGS
 - INSULATION
 - BREATHER MEMBRANE
 - CEMENT PARTICLE / LINING BOARD
 - STEEL FRAMING SYSTEM
 - INTERNAL FINISHES
 - GLAZING SYSTEMS AND SEALS
 - CLOSURE TRIMS / FLASHINGS

Rev.	Date	By	Comments
Drawing Status :			

FOR INFORMATION

Material :

**NORSKREEN® M4
 D SERIES - TYPICAL
 COLUMN, POST AND BEAM
 ARRANGEMENT**



Telling Architectural Ltd
 Unit 4E
 Station Road
 Four Ashes
 Wolverhampton
 WV10 7DB

Tel : 01902 797 700
 Fax : 01902 797 720

© Telling Architectural Ltd
 Do not scale from this drawing. If in doubt ask

Drawing Title :

PARTIAL ELEVATION

Scale :	Checked :	Drawn : EJR
1 : 5	Date :	Date : 17/01/20

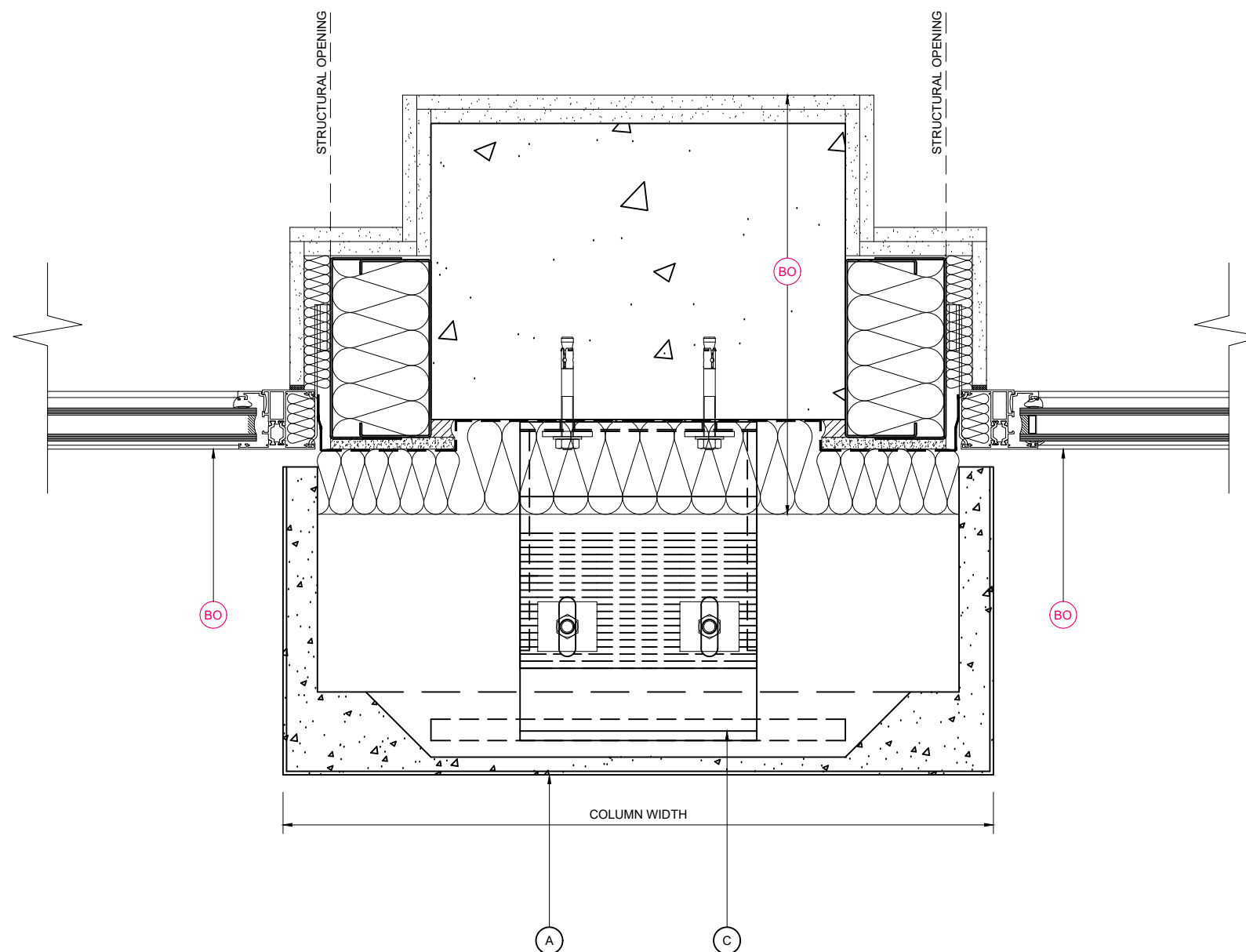
Size	Drawing No.	Rev.
A3	NOR-M4D-E01	

KEY COMPONENT LEGEND

- (A) NORSKREEN® M4 PANEL
- (B) ALUMINIUM SUPPORT ANGLE
- (C) STAINLESS STEEL SUPPORT BRACKET
- (D) HORIZONTAL JOINT BRACKET

(BO) INDICATIVE FINISHES NOT BY TELLING Eg :

- JOINT SEALANTS/ BACKING ROD
- COMPRIBAND JOINT BACKING
- SOLID PACKERS / ISOLATION PADS
- SUBSTRATE FIXINGS
- INSULATION
- BREATHER MEMBRANE
- CEMENT PARTICLE / LINING BOARD
- STEEL FRAMING SYSTEM
- INTERNAL FINISHES
- GLAZING SYSTEMS AND SEALS
- CLOSURE TRIMS / FLASHINGS



NOTE:
THESE STANDARD DETAILS DO NOT
INCORPORATE FIRE BARRIER
REQUIREMENTS AROUND WINDOW
OPENINGS AND FLOOR SLABS.
THESE INTERFACING
REQUIREMENTS MUST BE
REVIEWED WITH THE LOCAL FIRE
INSPECTOR BEFORE FINALISATION
OF DETAILS.

COLUMN TO WINDOW JAMB DETAIL

Rev.	Date	By	Comments
Drawing Status :			

APPROVAL

Material :
NORSKREEN® M4
D SERIES - TYPICAL
COLUMN, POST AND BEAM
ARRANGEMENT



Telling Architectural Ltd
Unit 4E
Station Road
Four Ashes
Wolverhampton
WV10 7DB
Tel : 01902 797 700
Fax : 01902 797 720

© Telling Architectural Ltd
Do not scale from this drawing. If in doubt ask

Drawing Title :
**COLUMN TO WINDOW JAMB
DETAIL**

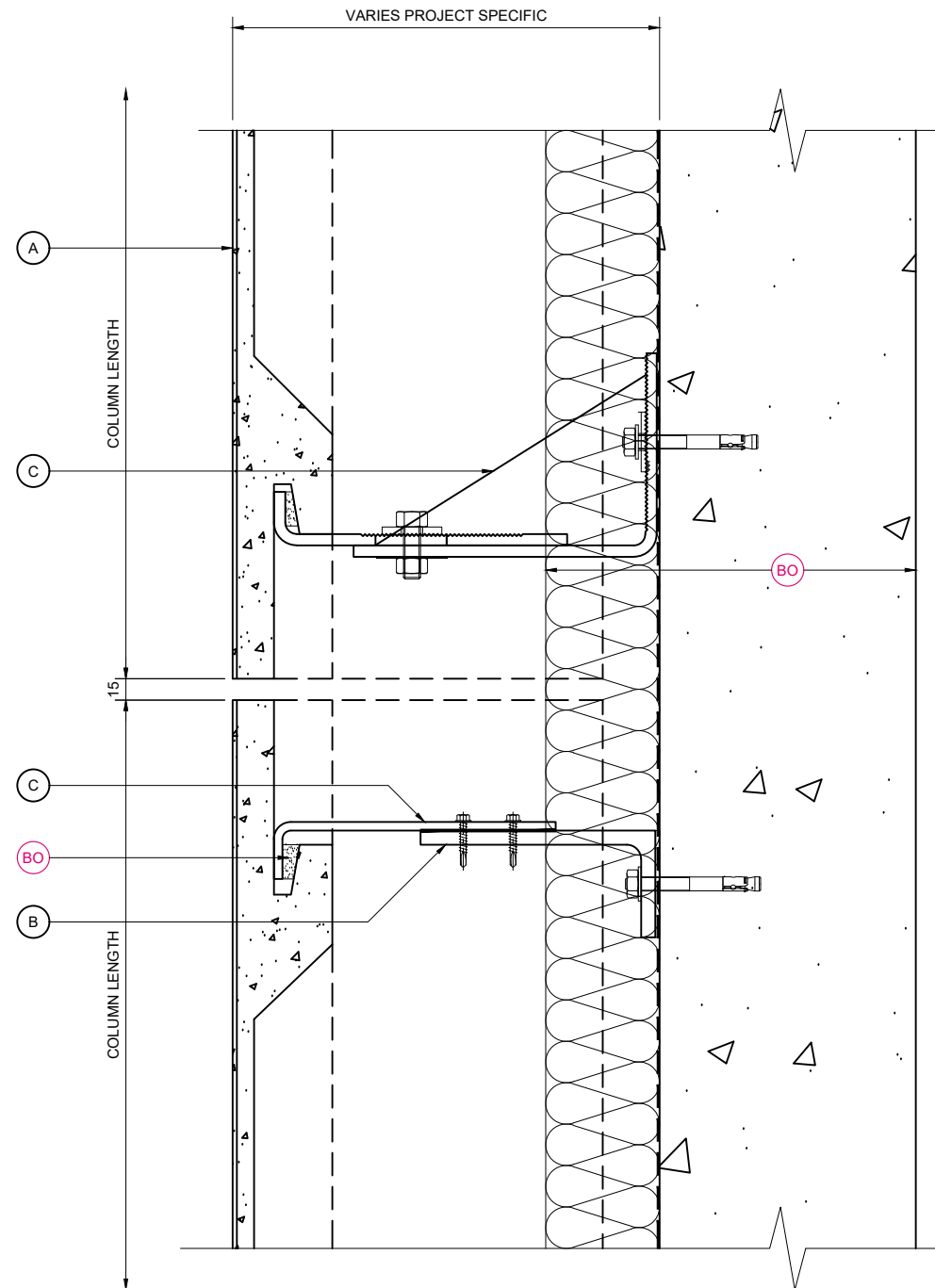
Scale :	Checked :	Drawn : EJR
1 : 5	Date :	Date : 17/01/20

Size	Drawing No.	Rev.
A3	NOR-M4D-D01	

KEY COMPONENT LEGEND

- (A) NORSKREEN® M4 PANEL
- (B) ALUMINIUM SUPPORT ANGLE
- (C) STAINLESS STEEL SUPPORT BRACKET
- (D) HORIZONTAL JOINT BRACKET

- (BO) INDICATIVE FINISHES NOT BY TELLING Eg :
 - JOINT SEALANTS/ BACKING ROD
 - COMPRIBAND JOINT BACKING
 - SOLID PACKERS / ISOLATION PADS
 - SUBSTRATE FIXINGS
 - INSULATION
 - BREATHER MEMBRANE
 - CEMENT PARTICLE / LINING BOARD
 - STEEL FRAMING SYSTEM
 - INTERNAL FINISHES
 - GLAZING SYSTEMS AND SEALS
 - CLOSURE TRIMS / FLASHINGS



VERTICAL COLUMN JOINT

NOTE:
THESE STANDARD DETAILS DO NOT INCORPORATE FIRE BARRIER REQUIREMENTS AROUND WINDOW OPENINGS AND FLOOR SLABS. THESE INTERFACING REQUIREMENTS MUST BE REVIEWED WITH THE LOCAL FIRE INSPECTOR BEFORE FINALISATION OF DETAILS.

Rev.	Date	By	Comments
Drawing Status :			

FOR INFORMATION

Material :
**NORSKREEN® M4
 D SERIES - TYPICAL
 COLUMN, POST AND BEAM
 ARRANGEMENT**



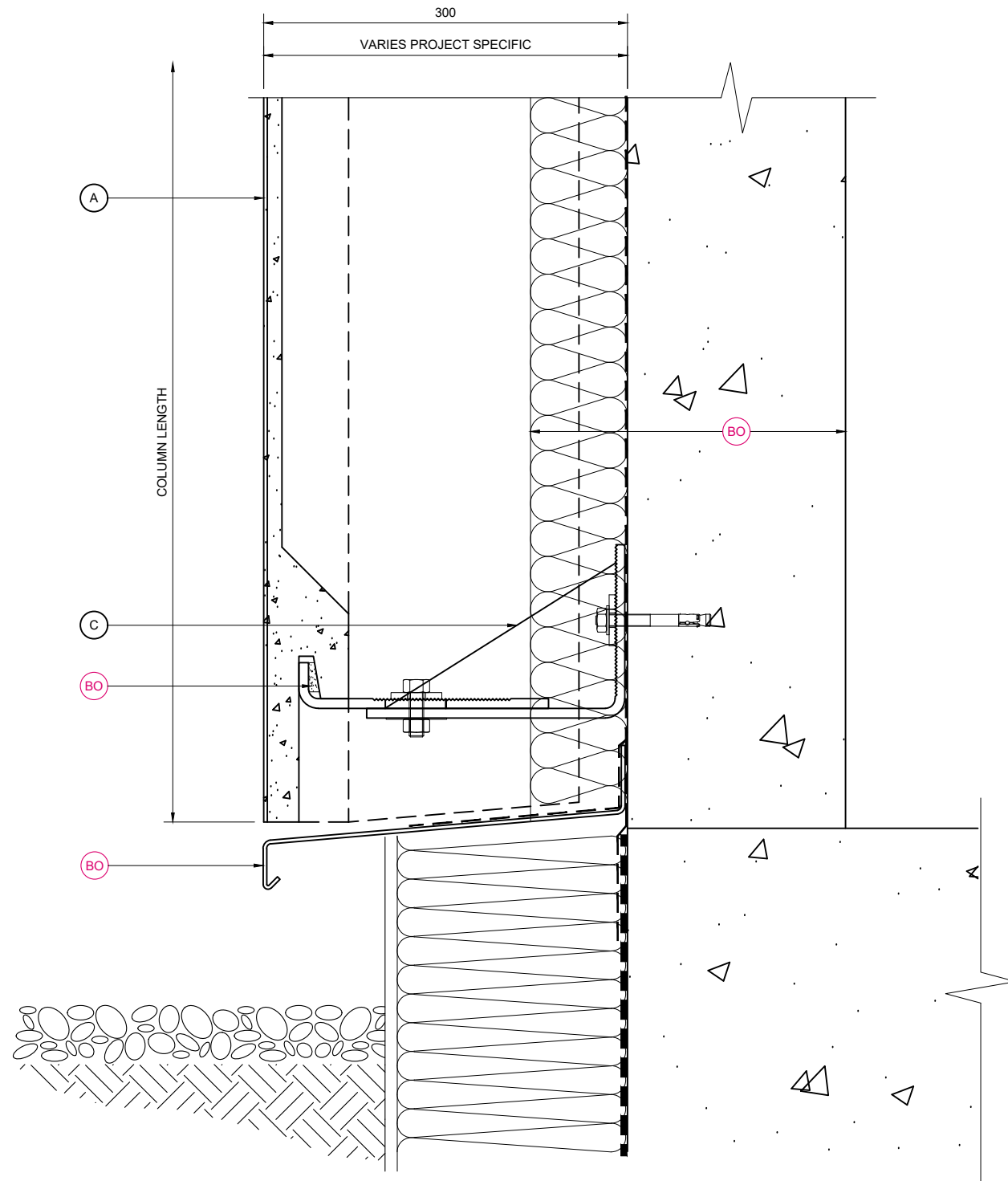
Telling Architectural Ltd
 Unit 4E
 Station Road
 Four Ashes
 Wolverhampton
 WV10 7DB
 Tel : 01902 797 700
 Fax : 01902 797 720

© Telling Architectural Ltd
 Do not scale from this drawing. If in doubt ask

Drawing Title :
VERTICAL COLUMN JOINT

Scale :	Checked :	Drawn : EJR
1 : 5	Date :	Date : 17/01/20

Size	Drawing No.	Rev.
A3	NOR-M4D-D02	



COLUMN BASE DETAIL

NOTE:
 THESE STANDARD DETAILS DO NOT
 INCORPORATE FIRE BARRIER
 REQUIREMENTS AROUND WINDOW
 OPENINGS AND FLOOR SLABS.
 THESE INTERFACING
 REQUIREMENTS MUST BE
 REVIEWED WITH THE LOCAL FIRE
 INSPECTOR BEFORE FINALISATION
 OF DETAILS.

KEY COMPONENT LEGEND

- (A) NORSKREEN® M4 PANEL
- (B) ALUMINIUM SUPPORT ANGLE
- (C) STAINLESS STEEL SUPPORT BRACKET
- (D) HORIZONTAL JOINT BRACKET

- (BO) INDICATIVE FINISHES NOT BY TELLING Eg :
 JOINT SEALANTS/ BACKING ROD
 COMPRIBAND JOINT BACKING
 SOLID PACKERS / ISOLATION PADS
 SUBSTRATE FIXINGS
 INSULATION
 BREATHER MEMBRANE
 CEMENT PARTICLE / LINING BOARD
 STEEL FRAMING SYSTEM
 INTERNAL FINISHES
 GLAZING SYSTEMS AND SEALS
 CLOSURE TRIMS / FLASHINGS

Rev.	Date	By	Comments
Drawing Status :			

FOR INFORMATION

Material :
 NORSKREEN® M4
 D SERIES - TYPICAL
 COLUMN, POST AND BEAM
 ARRANGEMENT



Telling Architectural Ltd
 Unit 4E
 Station Road
 Four Ashes
 Wolverhampton
 WV10 7DB
 Tel : 01902 797 700
 Fax : 01902 797 720

© Telling Architectural Ltd
 Do not scale from this drawing. If in doubt ask

Drawing Title :
 COLUMN BASE DETAIL

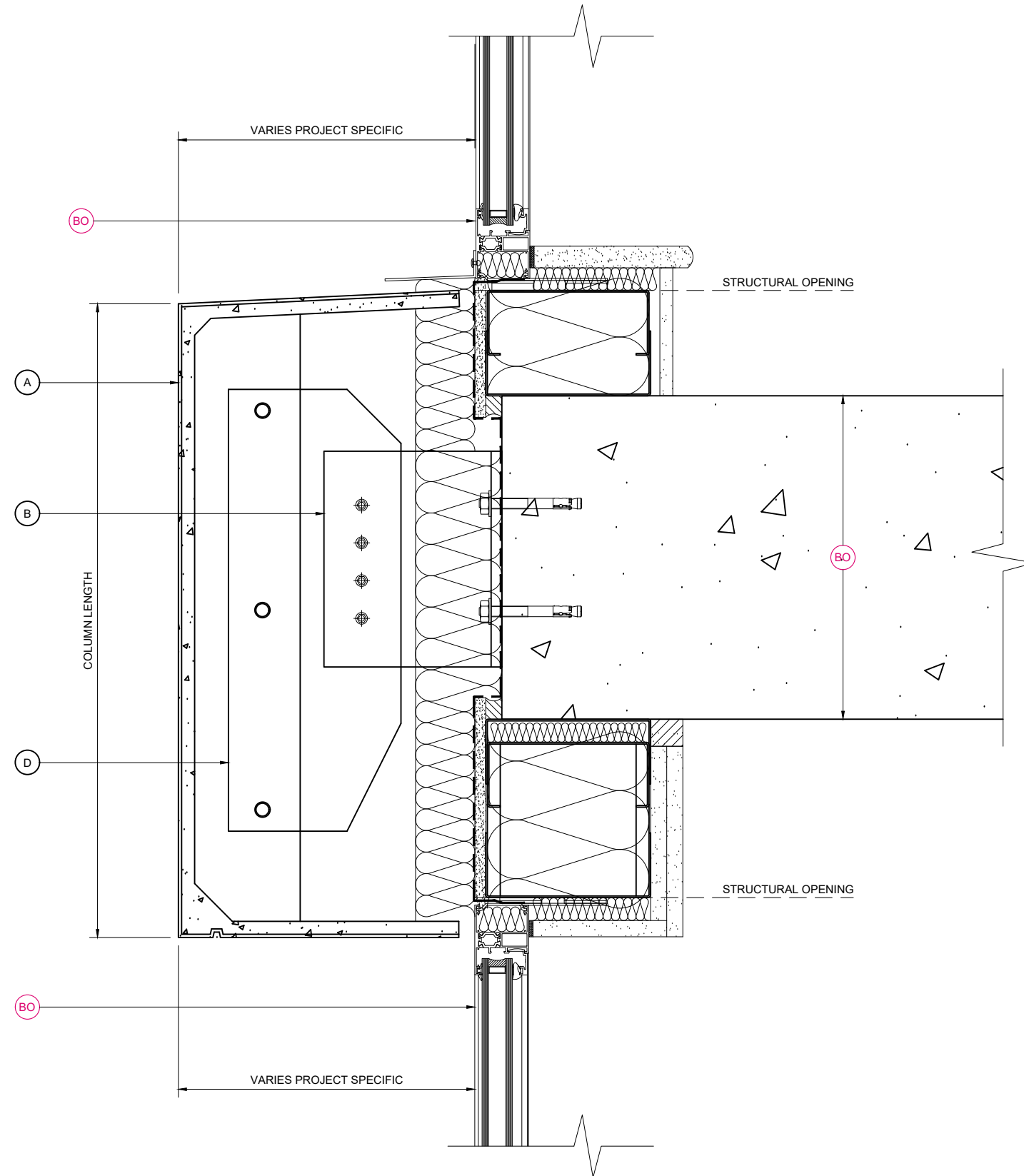
Scale :	Checked :	Drawn : EJR
1 : 5	Date :	Date : 17/01/20

Size	Drawing No.	Rev.
A3	NOR-M4D-D03	

KEY COMPONENT LEGEND

- (A) NORSKREEN® M4 PANEL
- (B) ALUMINIUM SUPPORT ANGLE
- (C) STAINLESS STEEL SUPPORT BRACKET
- (D) HORIZONTAL JOINT BRACKET

- (BO) INDICATIVE FINISHES NOT BY TELLING Eg :
- JOINT SEALANTS/ BACKING ROD
 - COMPRIBAND JOINT BACKING
 - SOLID PACKERS / ISOLATION PADS
 - SUBSTRATE FIXINGS
 - INSULATION
 - BREATHER MEMBRANE
 - CEMENT PARTICLE / LINING BOARD
 - STEEL FRAMING SYSTEM
 - INTERNAL FINISHES
 - GLAZING SYSTEMS AND SEALS
 - CLOSURE TRIMS / FLASHINGS



BEAM TO WINDOW DETAIL

NOTE:
THESE STANDARD DETAILS DO NOT INCORPORATE FIRE BARRIER REQUIREMENTS AROUND WINDOW OPENINGS AND FLOOR SLABS. THESE INTERFACING REQUIREMENTS MUST BE REVIEWED WITH THE LOCAL FIRE INSPECTOR BEFORE FINALISATION OF DETAILS.

Rev.	Date	By	Comments
Drawing Status :			

FOR INFORMATION

Material :
NORSKREEN® M4
D SERIES - TYPICAL
COLUMN, POST AND BEAM
ARRANGEMENT



Telling Architectural Ltd
Unit 4E
Station Road
Four Ashes
Wolverhampton
WV10 7DB
Tel : 01902 797 700
Fax : 01902 797 720

© Telling Architectural Ltd
Do not scale from this drawing. If in doubt ask

Drawing Title :
BEAM TO WINDOW DETAIL

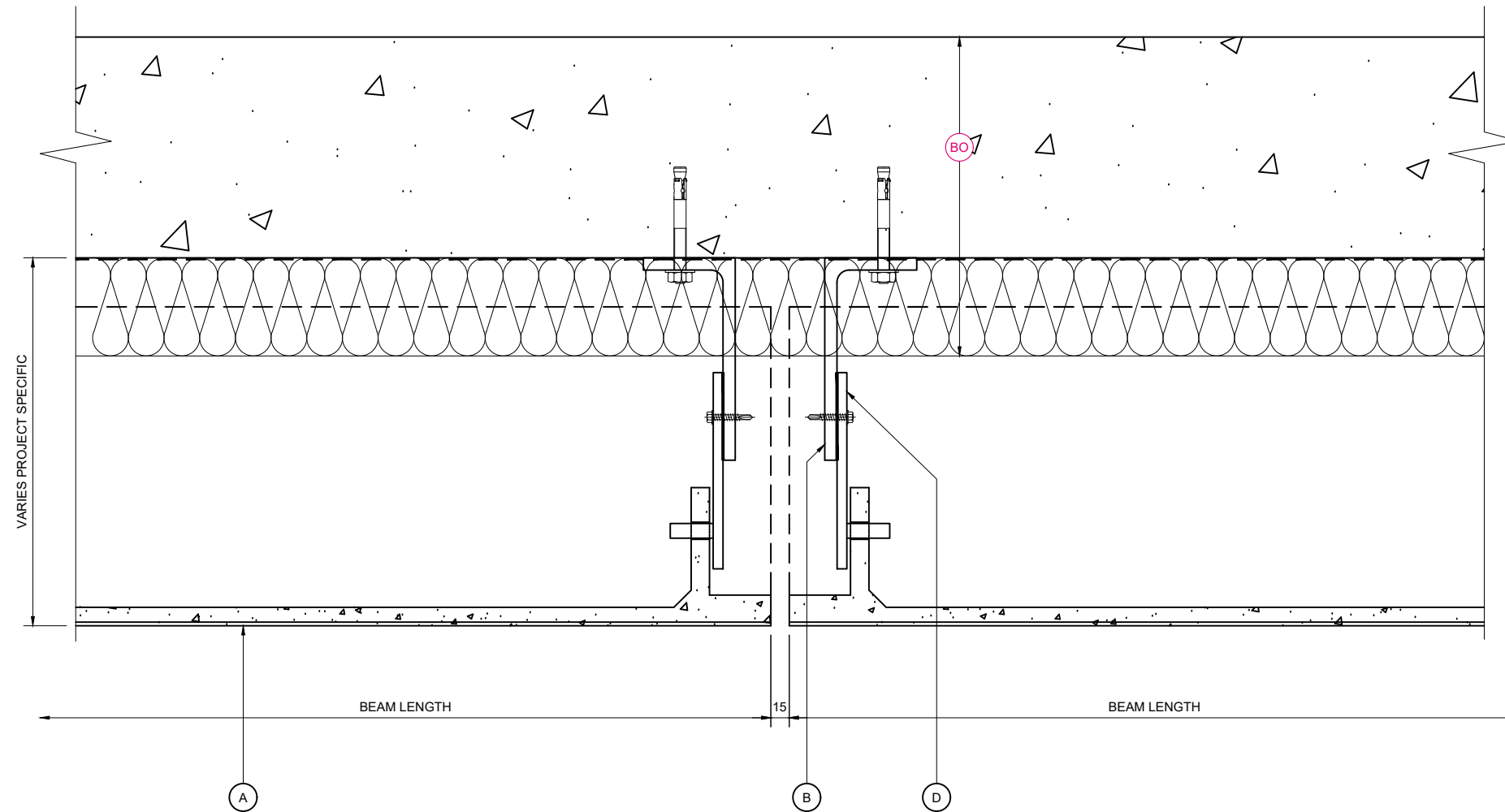
Scale :	Checked :	Drawn : EJR
1 : 5	Date :	Date : 17/01/20

Size	Drawing No.	Rev.
A3	NOR-M4D-D04	

KEY COMPONENT LEGEND

- (A) NORSKREEN® M4 PANEL
- (B) ALUMINIUM SUPPORT ANGLE
- (C) STAINLESS STEEL SUPPORT BRACKET
- (D) HORIZONTAL JOINT BRACKET

- (BO) INDICATIVE FINISHES NOT BY TELLING Eg :
- JOINT SEALANTS/ BACKING ROD
 - COMPRIBAND JOINT BACKING
 - SOLID PACKERS / ISOLATION PADS
 - SUBSTRATE FIXINGS
 - INSULATION
 - BREATHER MEMBRANE
 - CEMENT PARTICLE / LINING BOARD
 - STEEL FRAMING SYSTEM
 - INTERNAL FINISHES
 - GLAZING SYSTEMS AND SEALS
 - CLOSURE TRIMS / FLASHINGS



Rev.	Date	By	Comments
Drawing Status :			

FOR INFORMATION

Material :
**NORSKREEN® M4
 D SERIES - TYPICAL
 COLUMN, POST AND BEAM
 ARRANGEMENT**



Telling Architectural Ltd
 Unit 4E
 Station Road
 Four Ashes
 Wolverhampton
 WV10 7DB
 Tel : 01902 797 700
 Fax : 01902 797 720

© Telling Architectural Ltd
 Do not scale from this drawing. If in doubt ask

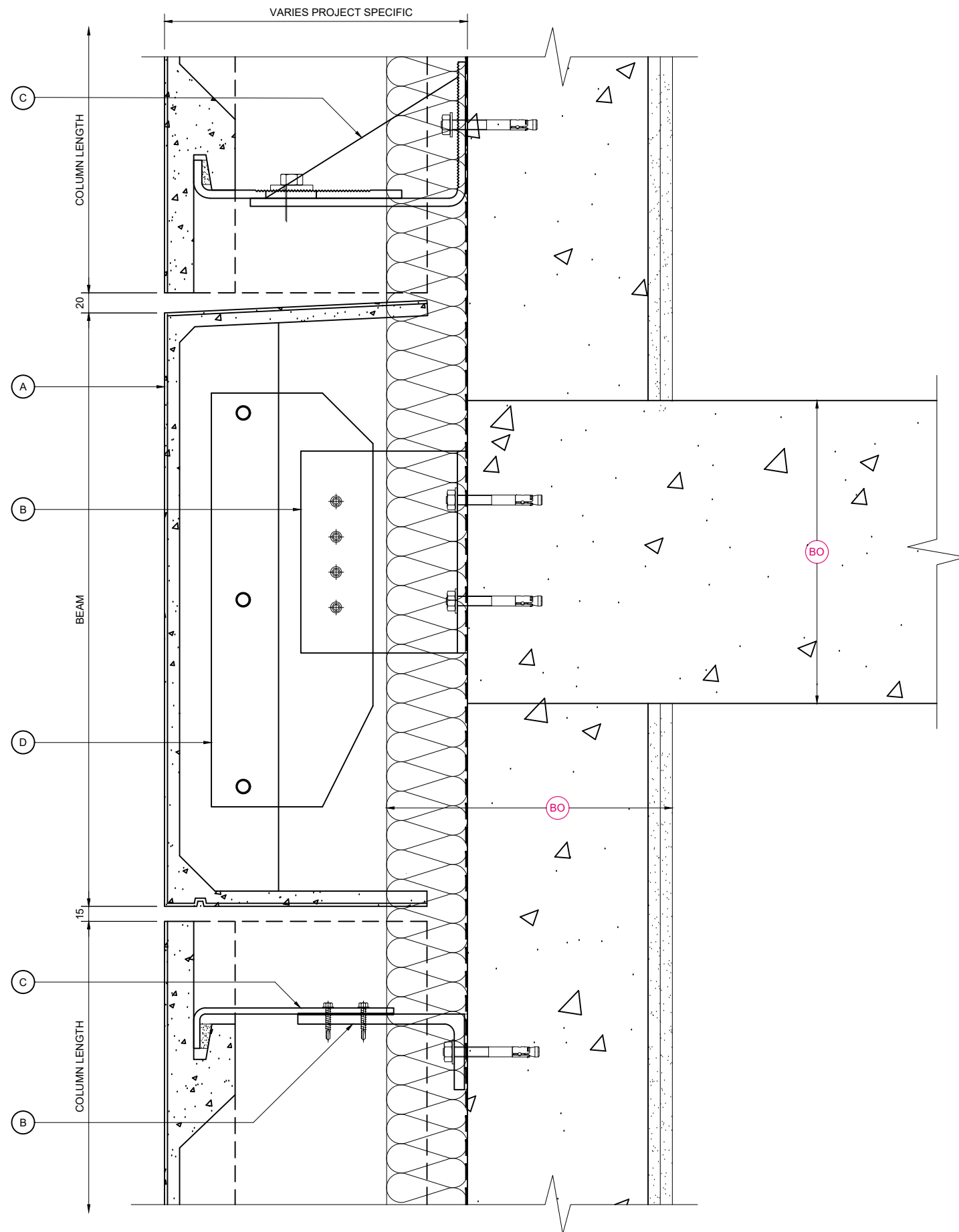
Drawing Title :
HORIZONTAL BEAM JOINT

Scale :	Checked :	Drawn : EJR
1 : 5	Date :	Date : 17/01/20

Size	Drawing No.	Rev.
A3	NOR-M4D-D05	

NOTE:
 THESE STANDARD DETAILS DO NOT
 INCORPORATE FIRE BARRIER
 REQUIREMENTS AROUND WINDOW
 OPENINGS AND FLOOR SLABS.
 THESE INTERFACING
 REQUIREMENTS MUST BE
 REVIEWED WITH THE LOCAL FIRE
 INSPECTOR BEFORE FINALISATION
 OF DETAILS.

HORIZONTAL BEAM JOINT



GRC BEAM AND COLUMN DETAIL

NOTE:
THESE STANDARD DETAILS DO NOT
INCORPORATE FIRE BARRIER
REQUIREMENTS AROUND WINDOW
OPENINGS AND FLOOR SLABS.
THESE INTERFACING
REQUIREMENTS MUST BE
REVIEWED WITH THE LOCAL FIRE
INSPECTOR BEFORE FINALISATION
OF DETAILS.

KEY COMPONENT LEGEND

- (A) NORSKREEN® M4 PANEL
- (B) ALUMINIUM SUPPORT ANGLE
- (C) STAINLESS STEEL SUPPORT BRACKET
- (D) HORIZONTAL JOINT BRACKET

(BO) INDICATIVE FINISHES NOT BY TELLING Eg :

- JOINT SEALANTS/ BACKING ROD
- COMPRIBAND JOINT BACKING
- SOLID PACKERS / ISOLATION PADS
- SUBSTRATE FIXINGS
- INSULATION
- BREATHER MEMBRANE
- CEMENT PARTICLE / LINING BOARD
- STEEL FRAMING SYSTEM
- INTERNAL FINISHES
- GLAZING SYSTEMS AND SEALS
- CLOSURE TRIMS / FLASHINGS

Rev.	Date	By	Comments
Drawing Status :			

FOR INFORMATION

Material :
NORSKREEN® M4
D SERIES - TYPICAL
COLUMN, POST AND BEAM
ARRANGEMENT



Telling Architectural Ltd
Unit 4E
Station Road
Four Ashes
Wolverhampton
WV10 7DB
Tel : 01902 797 700
Fax : 01902 797 720

© Telling Architectural Ltd
Do not scale from this drawing. If in doubt ask

Drawing Title :
BEAM AND COLUMN DETAIL

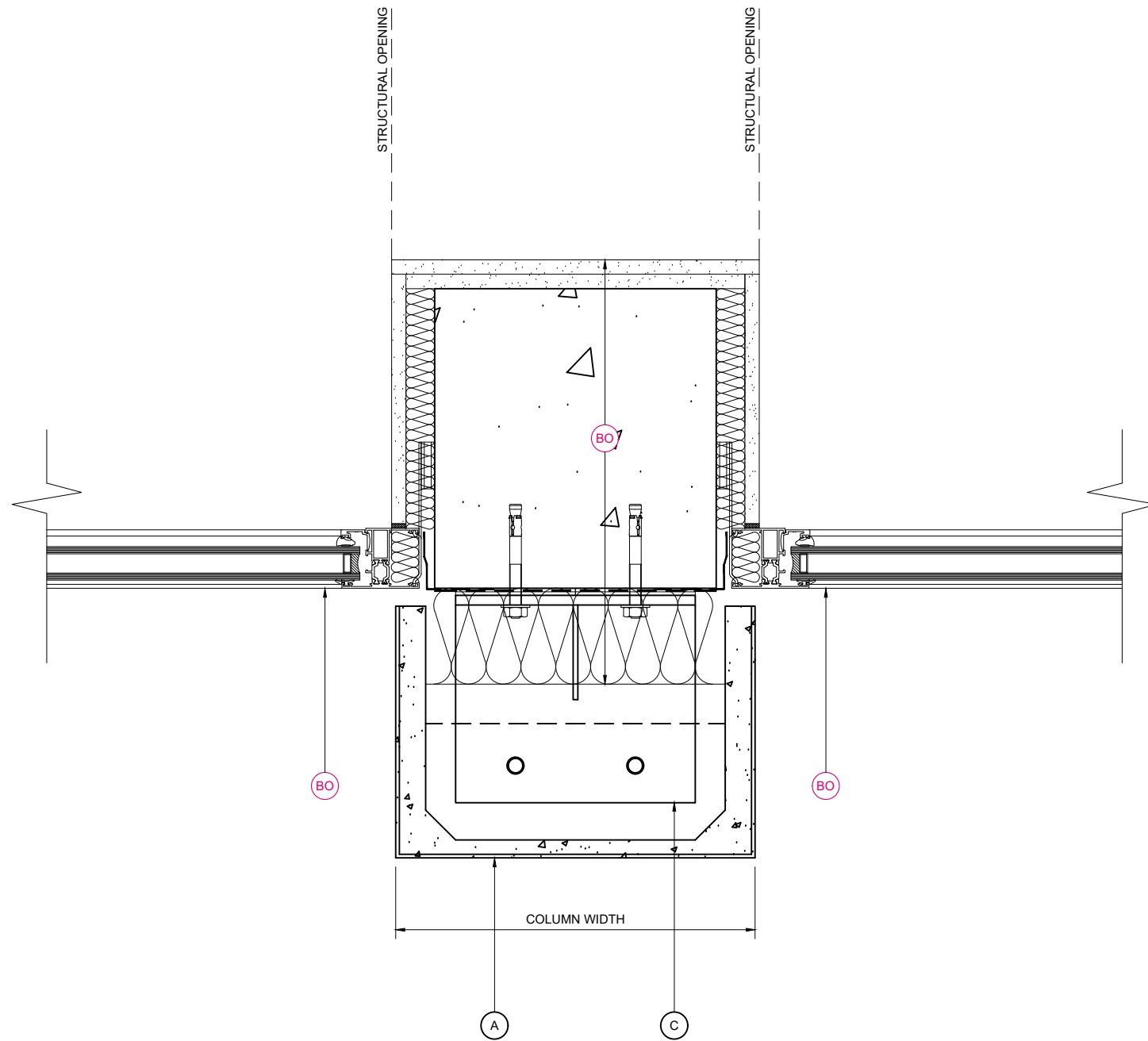
Scale :	Checked :	Drawn : EJR
1 : 5	Date :	Date : 17/01/20

Size	Drawing No.	Rev.
A3	NOR-M4D-D06	

KEY COMPONENT LEGEND

- (A) NORSKREEN® M4 PANEL
- (B) ALUMINIUM SUPPORT ANGLE
- (C) STAINLESS STEEL SUPPORT BRACKET
- (D) HORIZONTAL JOINT BRACKET

- (BO) INDICATIVE FINISHES NOT BY TELLING Eg :
- JOINT SEALANTS/ BACKING ROD
 - COMPRIBAND JOINT BACKING
 - SOLID PACKERS / ISOLATION PADS
 - SUBSTRATE FIXINGS
 - INSULATION
 - BREATHER MEMBRANE
 - CEMENT PARTICLE / LINING BOARD
 - STEEL FRAMING SYSTEM
 - INTERNAL FINISHES
 - GLAZING SYSTEMS AND SEALS
 - CLOSURE TRIMS / FLASHINGS



Rev.	Date	By	Comments
Drawing Status :			

FOR INFORMATION

Material :
**NORSKREEN® M4
 D SERIES - TYPICAL
 COLUMN, POST AND BEAM
 ARRANGEMENT**



Telling Architectural Ltd
 Unit 4E
 Station Road
 Four Ashes
 Wolverhampton
 WV10 7DB
 Tel : 01902 797 700
 Fax : 01902 797 720

© Telling Architectural Ltd
 Do not scale from this drawing. If in doubt ask

Drawing Title :
**SECONDARY POST TO
 WINDOW JAMB DETAIL**

Scale :	Checked :	Drawn : EJR
1 : 5	Date :	Date : 17/01/20

Size	Drawing No.	Rev.
A3	NOR-M4D-D07	

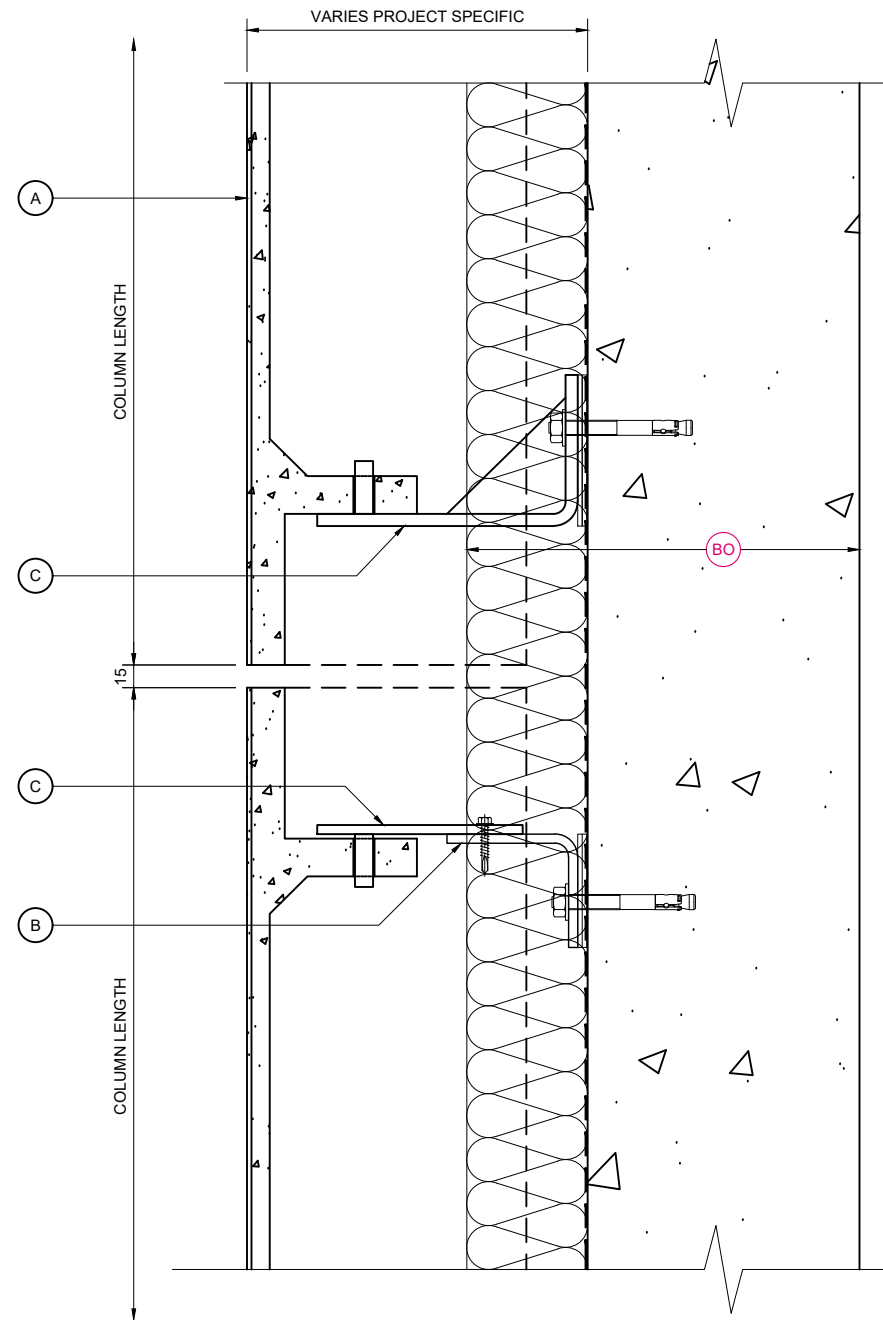
NOTE:
 THESE STANDARD DETAILS DO NOT
 INCORPORATE FIRE BARRIER
 REQUIREMENTS AROUND WINDOW
 OPENINGS AND FLOOR SLABS.
 THESE INTERFACING
 REQUIREMENTS MUST BE
 REVIEWED WITH THE LOCAL FIRE
 INSPECTOR BEFORE FINALISATION
 OF DETAILS.

POST TO WINDOW JAMB DETAIL

KEY COMPONENT LEGEND

- (A) NORSKREEN® M4 PANEL
- (B) ALUMINIUM SUPPORT ANGLE
- (C) STAINLESS STEEL SUPPORT BRACKET
- (D) HORIZONTAL JOINT BRACKET

- (BO) INDICATIVE FINISHES NOT BY TELLING Eg :
 - JOINT SEALANTS/ BACKING ROD
 - COMPRIBAND JOINT BACKING
 - SOLID PACKERS / ISOLATION PADS
 - SUBSTRATE FIXINGS
 - INSULATION
 - BREATHER MEMBRANE
 - CEMENT PARTICLE / LINING BOARD
 - STEEL FRAMING SYSTEM
 - INTERNAL FINISHES
 - GLAZING SYSTEMS AND SEALS
 - CLOSURE TRIMS / FLASHINGS



VERTICAL POST JOINT

NOTE:
THESE STANDARD DETAILS DO NOT
INCORPORATE FIRE BARRIER
REQUIREMENTS AROUND WINDOW
OPENINGS AND FLOOR SLABS.
THESE INTERFACING
REQUIREMENTS MUST BE
REVIEWED WITH THE LOCAL FIRE
INSPECTOR BEFORE FINALISATION
OF DETAILS.

Rev.	Date	By	Comments
Drawing Status :			

FOR INFORMATION

Material :
**NORSKREEN® M4
D SERIES - TYPICAL
COLUMN, POST AND BEAM
ARRANGEMENT**



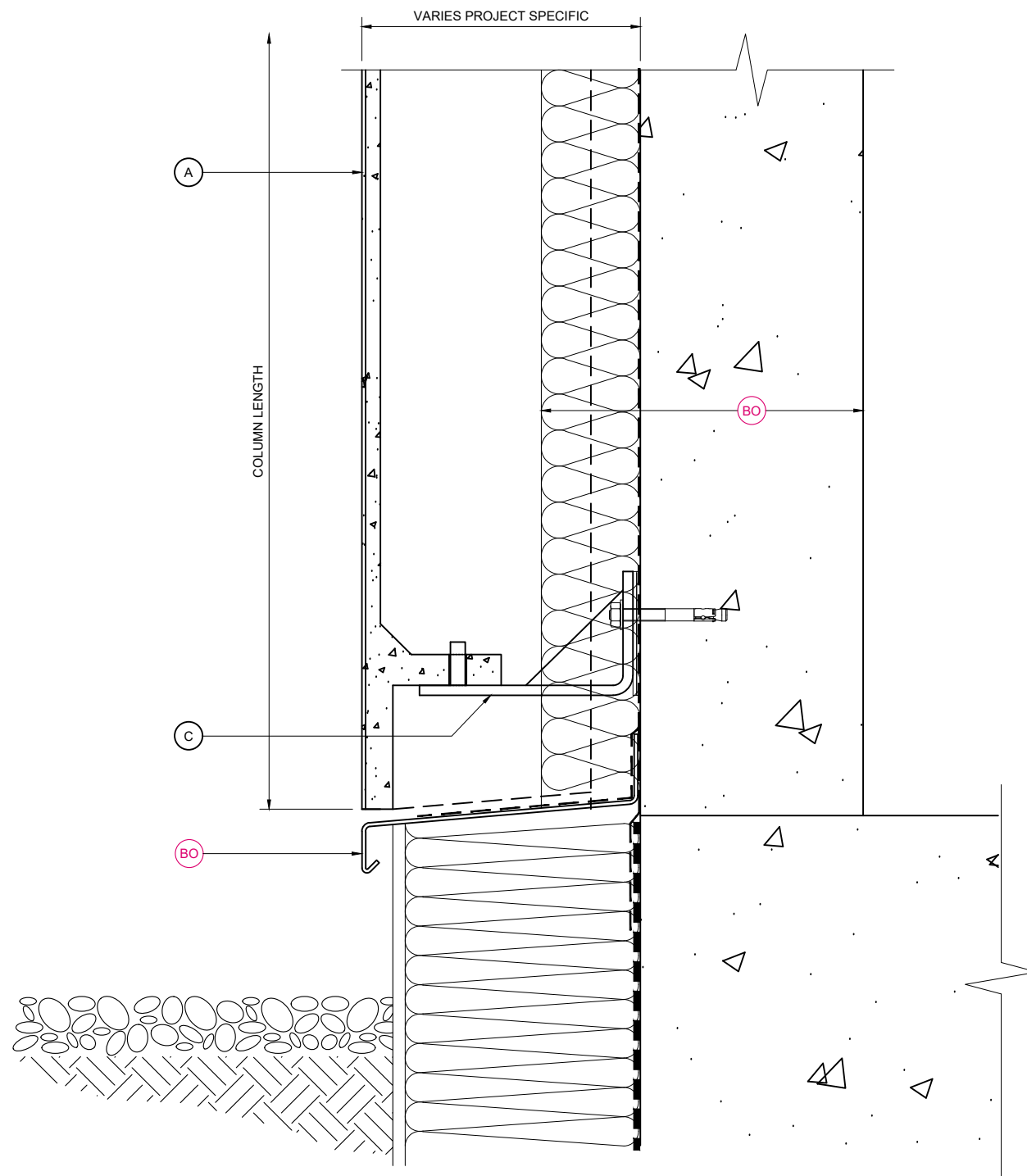
Telling Architectural Ltd
Unit 4E
Station Road
Four Ashes
Wolverhampton
WV10 7DB
Tel : 01902 797 700
Fax : 01902 797 720

© Telling Architectural Ltd
Do not scale from this drawing. If in doubt ask

Drawing Title :
**VERTICAL SECONDARY
POST JOINT**

Scale :	Checked :	Drawn : EJR
1 : 5	Date :	Date : 17/01/20

Size	Drawing No.	Rev.
A3	NOR-M4D-D08	



COLUMN BASE DETAIL

NOTE:
 THESE STANDARD DETAILS DO NOT
 INCORPORATE FIRE BARRIER
 REQUIREMENTS AROUND WINDOW
 OPENINGS AND FLOOR SLABS.
 THESE INTERFACING
 REQUIREMENTS MUST BE
 REVIEWED WITH THE LOCAL FIRE
 INSPECTOR BEFORE FINALISATION
 OF DETAILS.

KEY COMPONENT LEGEND

- (A) NORSKREEN® M4 PANEL
- (B) ALUMINIUM SUPPORT ANGLE
- (C) STAINLESS STEEL SUPPORT BRACKET
- (D) HORIZONTAL JOINT BRACKET

(BO) INDICATIVE FINISHES NOT BY TELLING Eg :

- JOINT SEALANTS/ BACKING ROD
- COMPRIBAND JOINT BACKING
- SOLID PACKERS / ISOLATION PADS
- SUBSTRATE FIXINGS
- INSULATION
- BREATHER MEMBRANE
- CEMENT PARTICLE / LINING BOARD
- STEEL FRAMING SYSTEM
- INTERNAL FINISHES
- GLAZING SYSTEMS AND SEALS
- CLOSURE TRIMS / FLASHINGS

Rev.	Date	By	Comments
Drawing Status :			

Drawing Status :

FOR INFORMATION

Material :

NORSKREEN® M4
 D SERIES - TYPICAL
 COLUMN, POST AND BEAM
 ARRANGEMENT



Telling Architectural Ltd
 Unit 4E
 Station Road
 Four Ashes
 Wolverhampton
 WV10 7DB
 Tel : 01902 797 700
 Fax : 01902 797 720

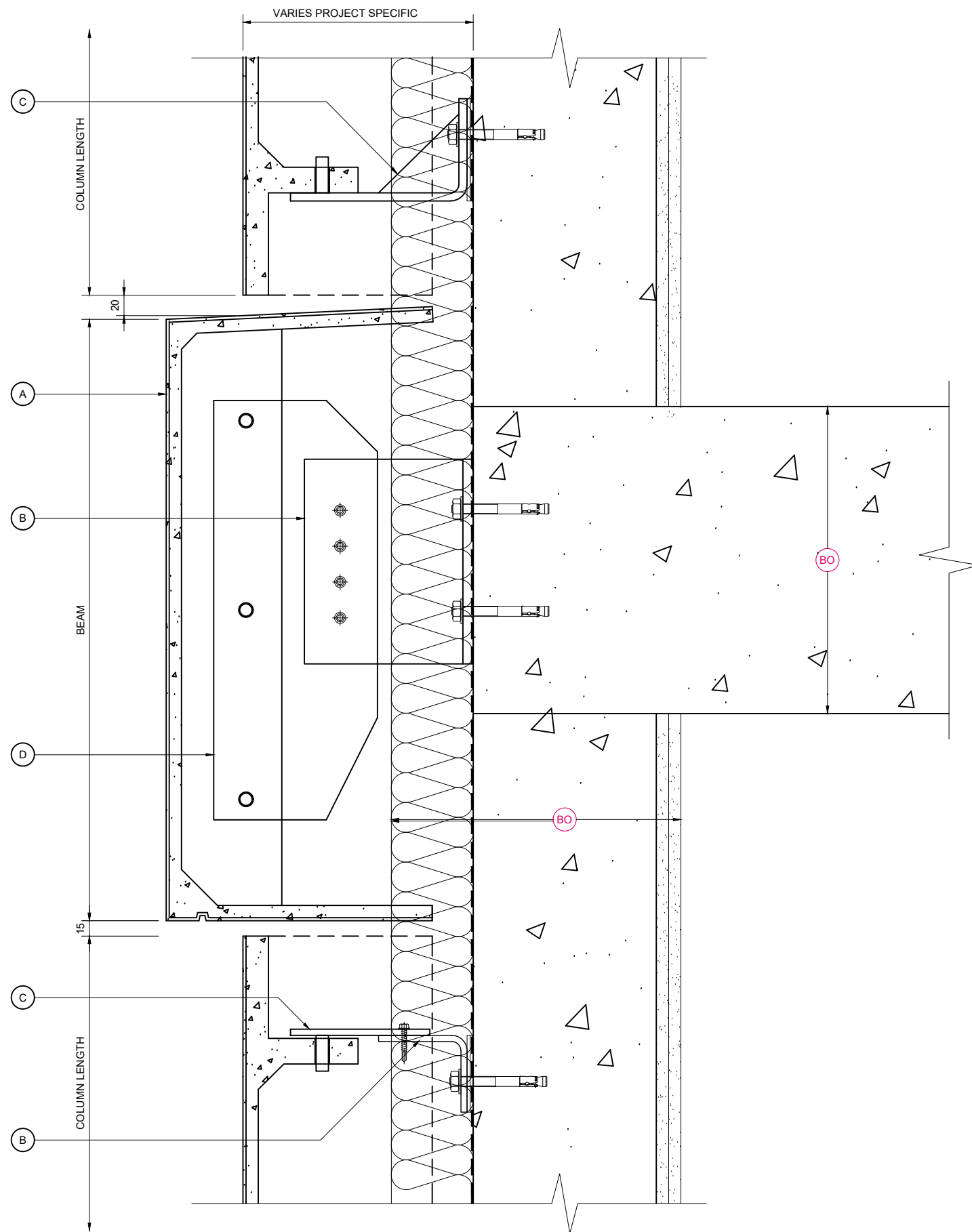
© Telling Architectural Ltd
 Do not scale from this drawing. If in doubt ask

Drawing Title :

SECONDARY POST BASE
 DETAIL

Scale :	Checked :	Drawn : EJR
1 : 5	Date :	Date : 17/01/20

Size	Drawing No.	Rev.
A3	NOR-M4D-D09	



GRC BEAM AND POST DETAIL

NOTE:
THESE STANDARD DETAILS DO NOT
INCORPORATE FIRE BARRIER
REQUIREMENTS AROUND WINDOW
OPENINGS AND FLOOR SLABS.
THESE INTERFACING
REQUIREMENTS MUST BE
REVIEWED WITH THE LOCAL FIRE
INSPECTOR BEFORE FINALISATION
OF DETAILS.

KEY COMPONENT LEGEND

- (A) NORSKREEN® M4 PANEL
- (B) ALUMINIUM SUPPORT ANGLE
- (C) STAINLESS STEEL SUPPORT BRACKET
- (D) HORIZONTAL JOINT BRACKET

(BO) INDICATIVE FINISHES NOT BY TELLING Eg :

- JOINT SEALANTS/ BACKING ROD
- COMPRIBAND JOINT BACKING
- SOLID PACKERS / ISOLATION PADS
- SUBSTRATE FIXINGS
- INSULATION
- BREATHER MEMBRANE
- CEMENT PARTICLE / LINING BOARD
- STEEL FRAMING SYSTEM
- INTERNAL FINISHES
- GLAZING SYSTEMS AND SEALS
- CLOSURE TRIMS / FLASHINGS

Rev.	Date	By	Comments
Drawing Status :			

Drawing Status :

FOR INFORMATION

Material :

NORSKREEN® M4
D SERIES - TYPICAL
COLUMN, POST AND BEAM
ARRANGEMENT



Telling Architectural Ltd
Unit 4E
Station Road
Four Ashes
Wolverhampton
WV10 7DB
Tel : 01902 797 700
Fax : 01902 797 720

© Telling Architectural Ltd
Do not scale from this drawing. If in doubt ask

Drawing Title :

BEAM AND SECONDARY
COLUMN DETAIL

Scale :	Checked :	Drawn : EJR
1 : 5	Date :	Date : 17/01/20

Size	Drawing No.	Rev.
A3	NOR-M4D-D10	